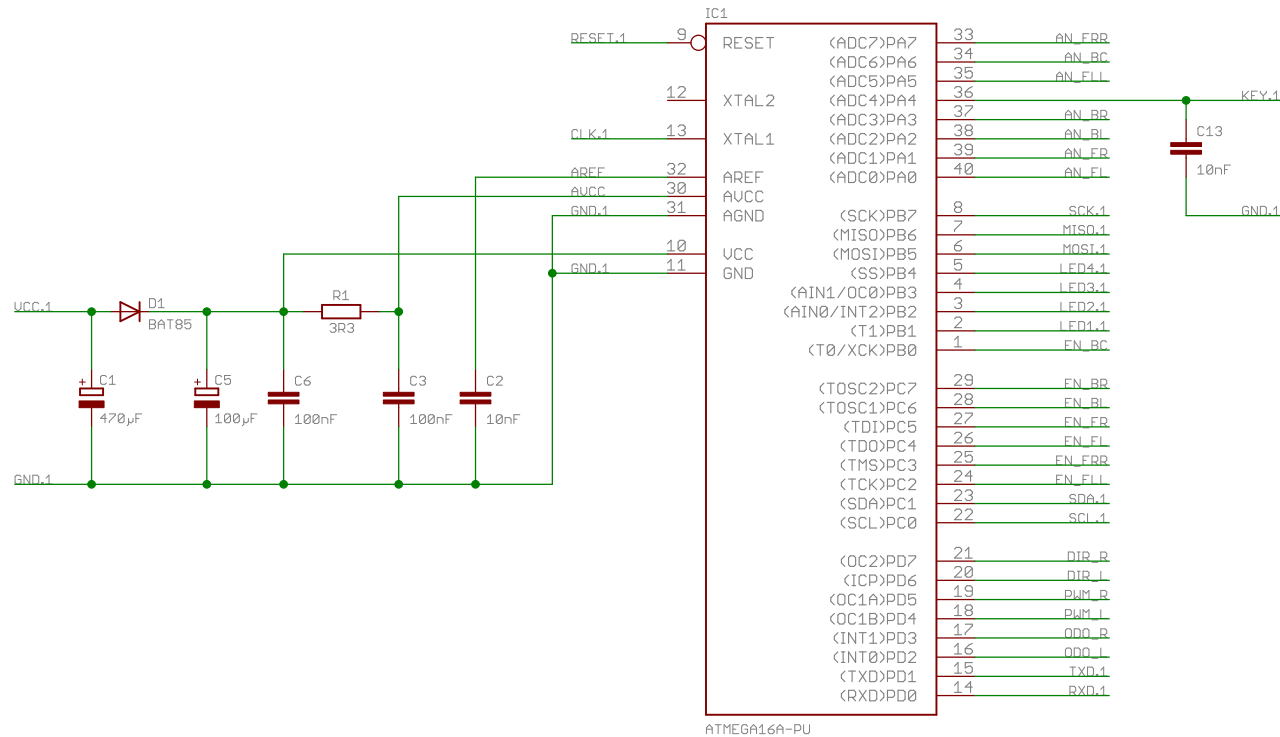
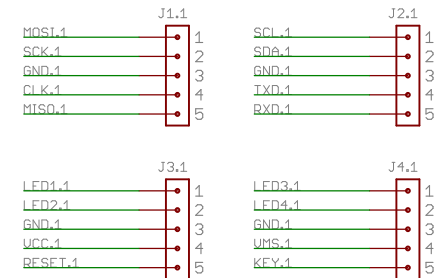


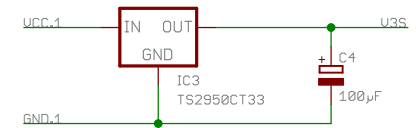
## Microcontroller



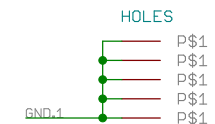
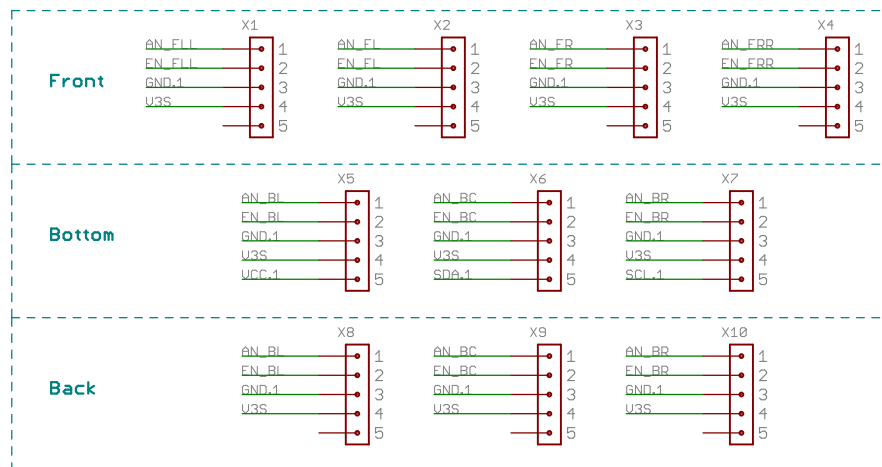
## Upper board connections



## 3.3V Stabilized Sensor Power



## Sensor Slots



Board 1: CPU, Connectors

TITLE: NIB0burger

<http://burger.nicai.eu>

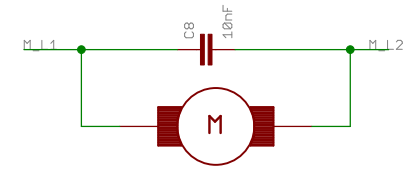
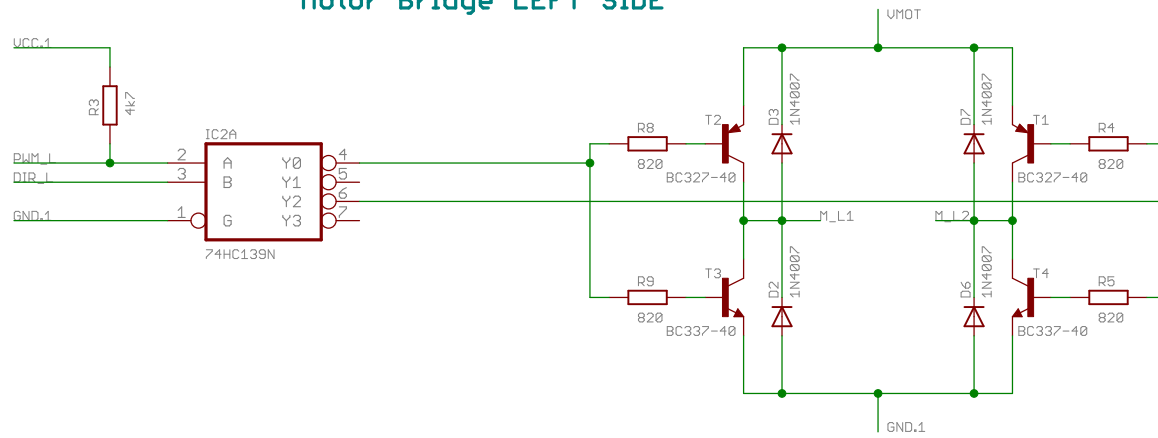
REV:

1.09

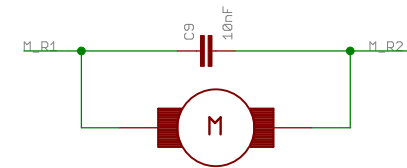
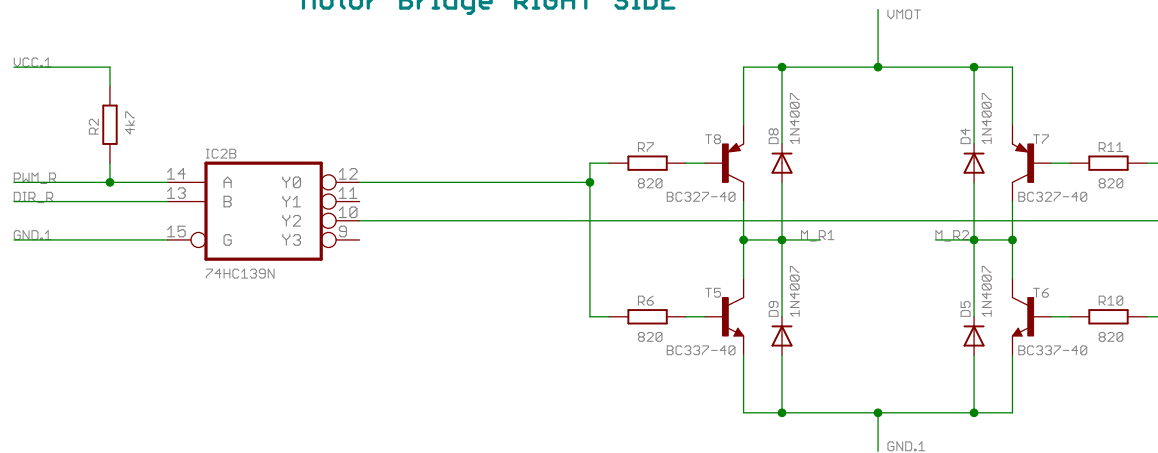
Date: 22.06.15 11:43

Sheet: 1/4

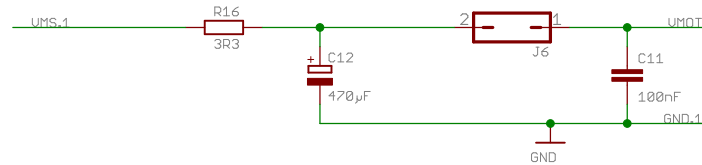
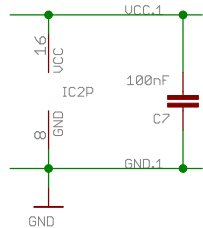
### Motor Bridge LEFT SIDE



### Motor Bridge RIGHT SIDE



### Motor Bridge POWER



Board 1: Motor control

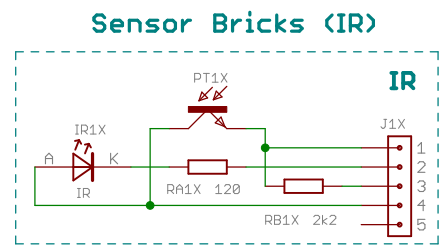
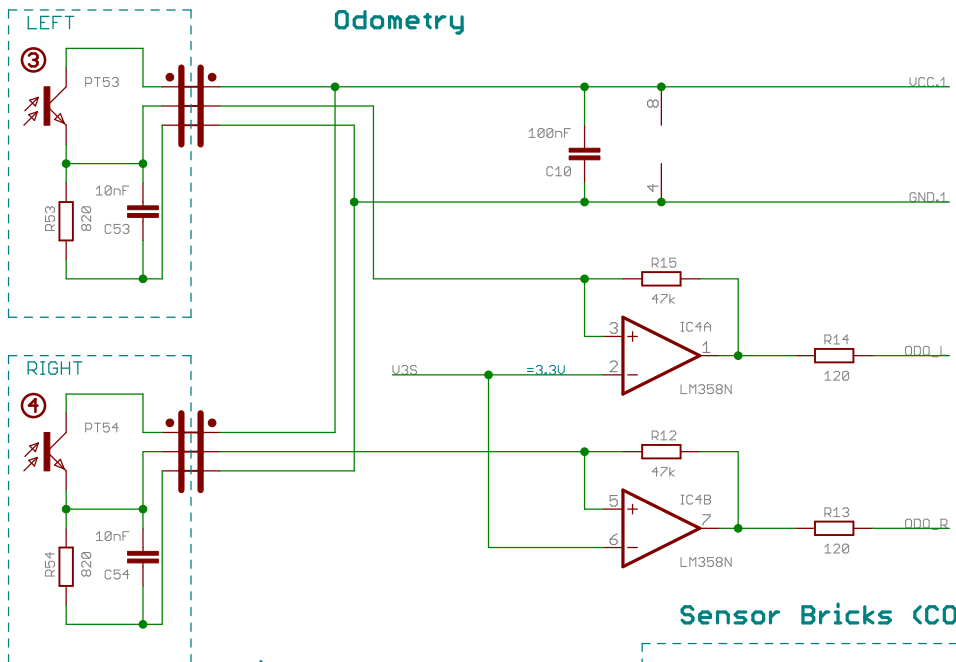
TITLE: NIB0burger

<http://burger.nicai.eu>

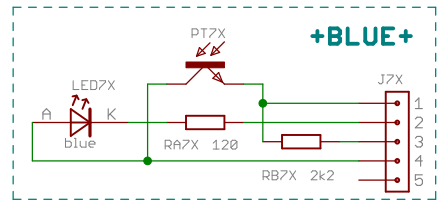
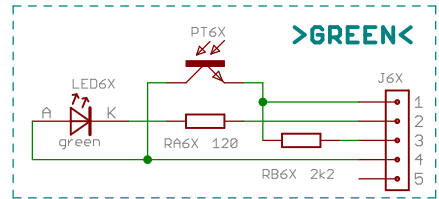
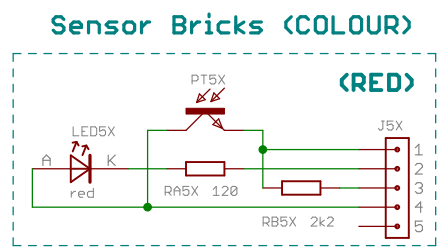
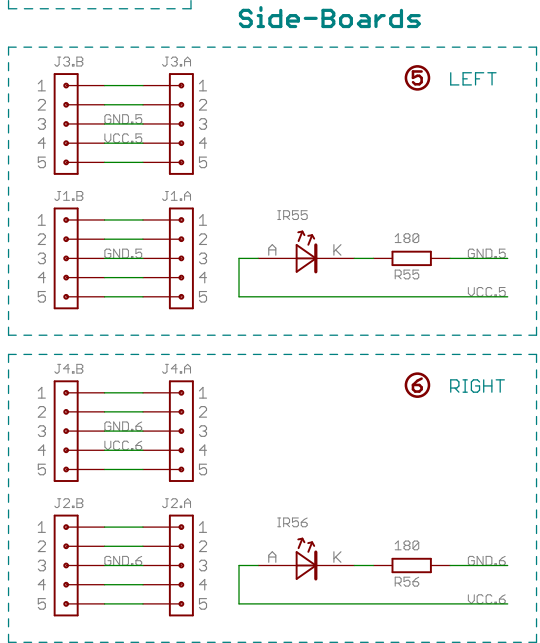
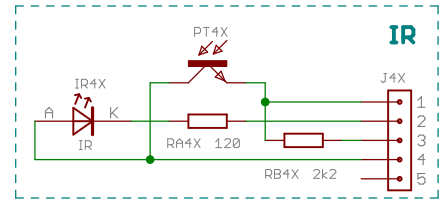
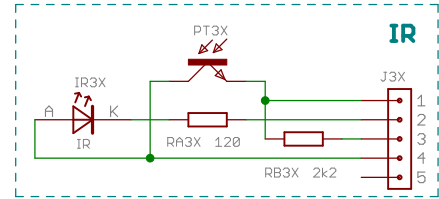
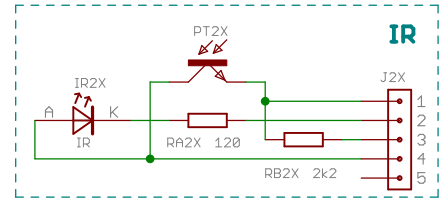
REV:  
1.09

Date: 22.06.15 11:43

Sheet: 2/4

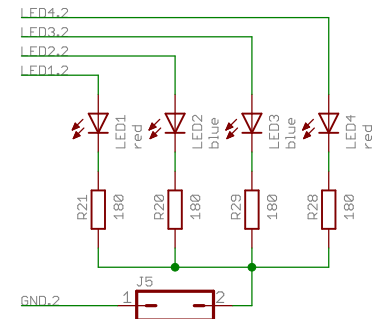
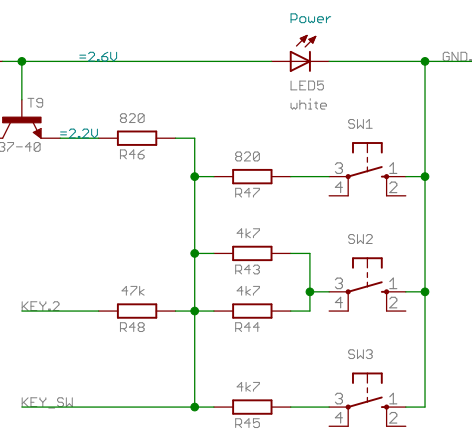
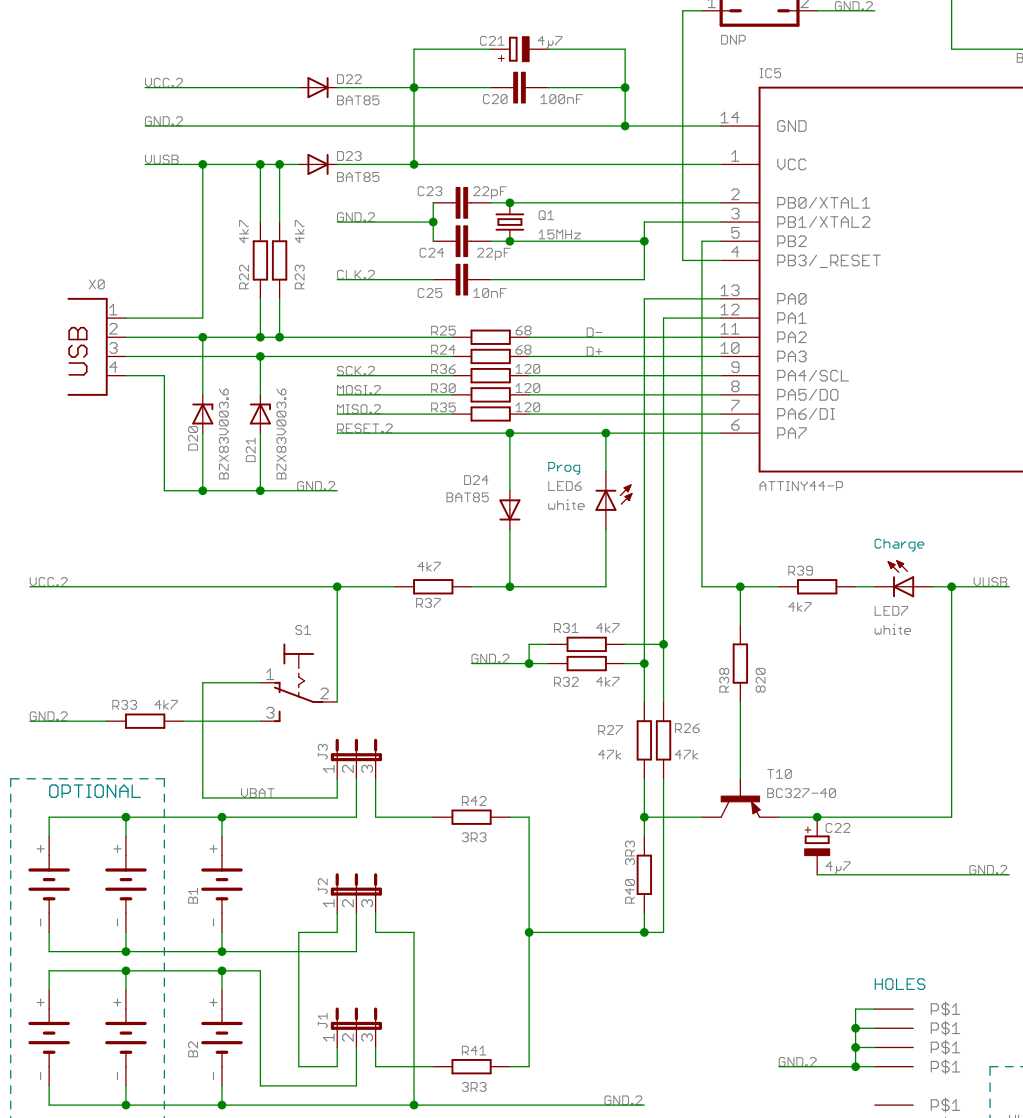


- 1: A - Sensor Signal
- 2: D - LED (low-active)
- 3: GND - Ground
- 4: U3S - Supply Voltage
- 5: n.c. - not connected

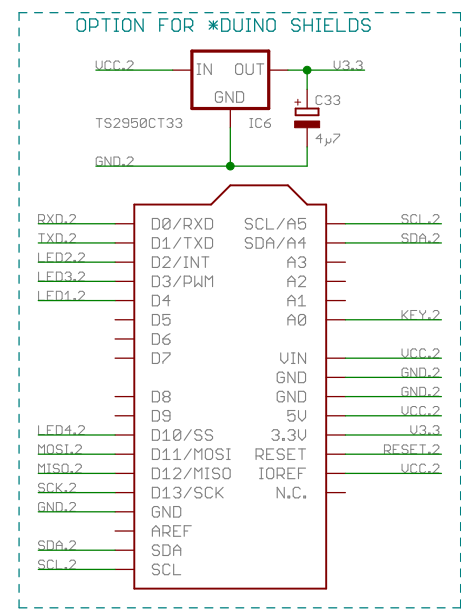
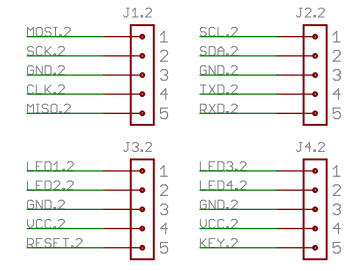


Board 1: Odometry	
Boards 3, 4, 5, 6 and Sensor Bricks	
TITLE: NIBOburger	
http://burger.nicai.eu	REV: 1.09
Date: 22.06.15 11:43	Sheet: 3/4

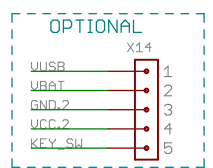
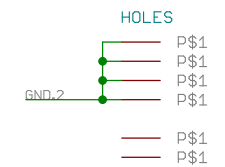
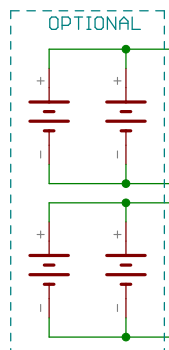
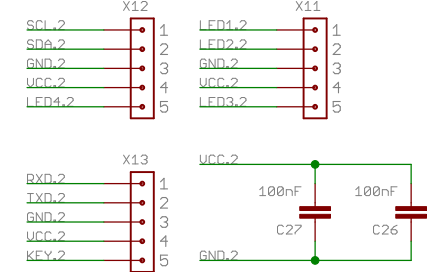
# USB Programmer and Power



## Lower board connections



## Extension ports



Board 2: Powersupply, USB Programmer, LEDs, Batteries, Keys, Extension ports

TITLE: NIB0burger

<http://burger.nicai.eu> REV: 1.09

Date: 22.06.15 11:43 Sheet: 4/4