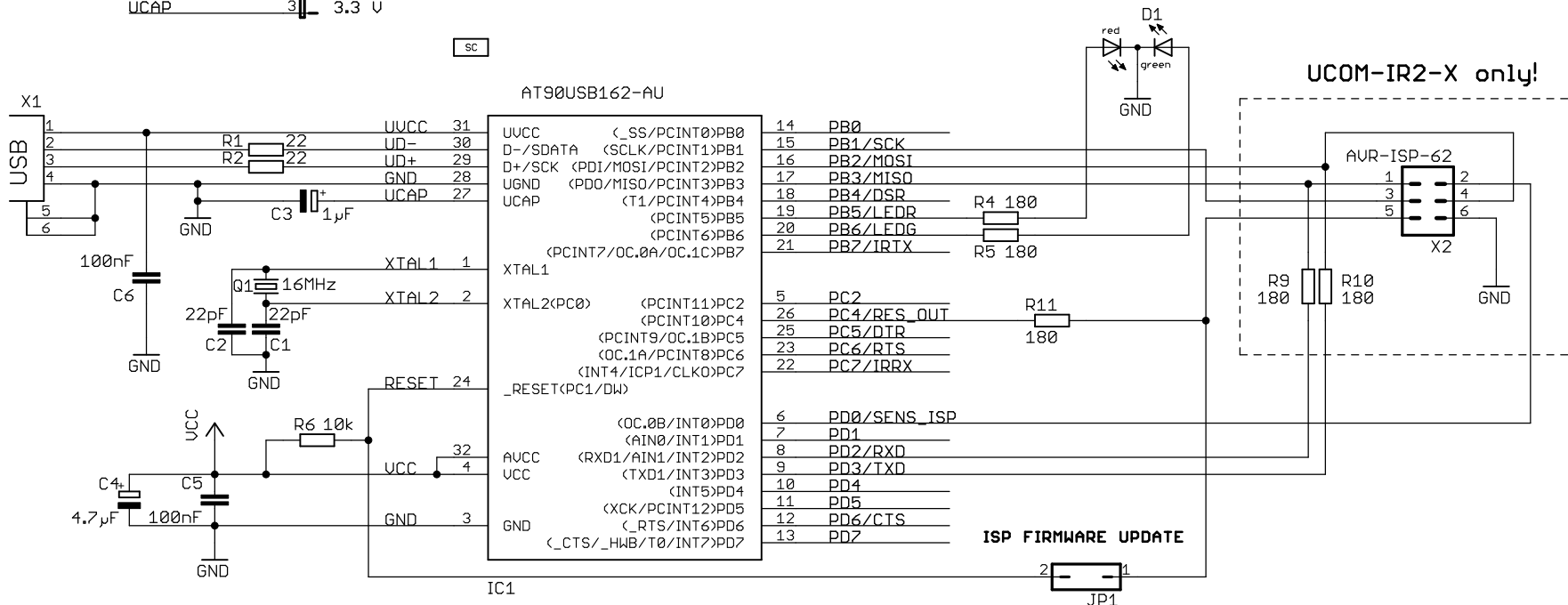


SUPPLY POWER

UICC	1	JP2
UCC	2	5.0 V
UCAP	3	3.3 V

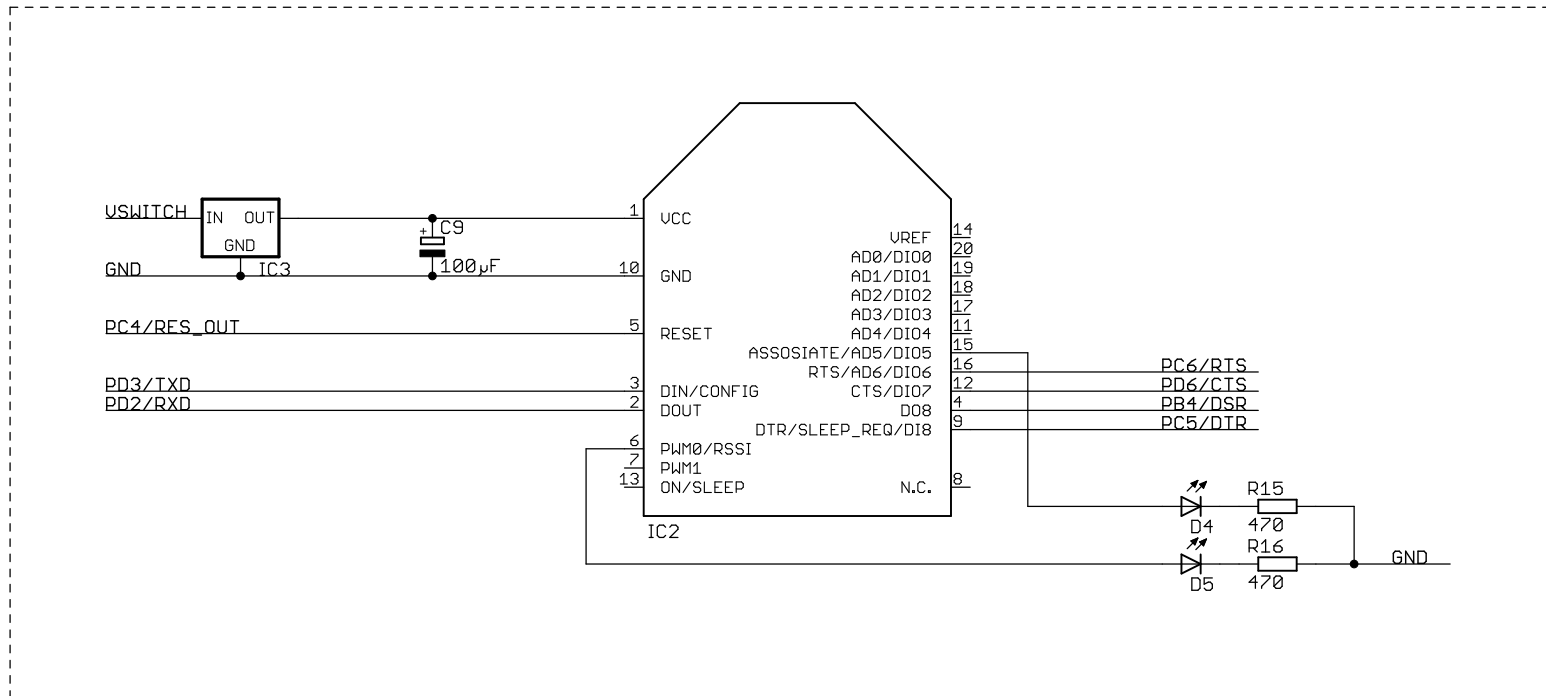


GND	1
PB0	2
PB1/SCK	3
PB2/MOSI	4
PB3/MISO	5
PB4/DSR	6
PB5/LFDR	7
PB6/LFDG	8
PB7/IRTX	9
PC2	10
PC4/RES_OUT	11
PC5/DTR	12
UCC	13
GND	14

GND	1
PD0/SENS_ISP	2
PD1	3
PD2/RXD	4
PD3/TXD	5
PD4	6
PD5	7
PD6/CTS	8
PD7	9
PC6/RTS	10
PC7/IRRX	11
UICC	12
UCC	13
GND	14

AVR - USB programming adapter	
TITLE: UCOM-X	
http://ucom-ir.nicai-systems.com	REV: 3.02
Date: 30.12.14 15:40	Sheet: 1/3

UCOM-XBEE only!



AUR - USB programming adapter

TITLE: UCOM-X

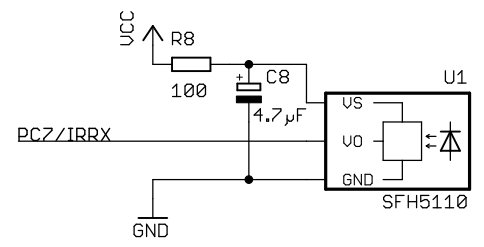
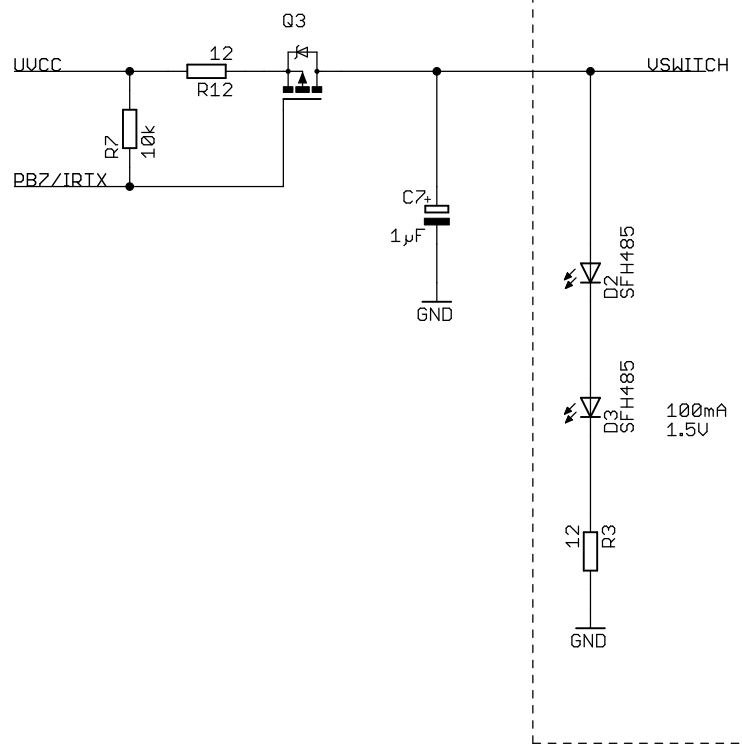
<http://ucom-ir.nicai-systems.com>

REV:
3.02

Date: 30.12.14 15:40

Sheet: 2/3

UCOM-IR2-X only!



AUR - USB programming adapter

TITLE: UCOM-X

<http://ucom-ir.nicai-systems.com>

REV:
3.02

Date: 30.12.14 15:40

Sheet: 3/3