

| | | |
|-------------|----|-------|
| GND | 1 | P\$1 |
| PB0 | 2 | P\$2 |
| PB1/SCK | 3 | P\$3 |
| PB2/MOSI | 4 | P\$4 |
| PB3/MISO | 5 | P\$5 |
| PB4/DSR | 6 | P\$6 |
| PB5/LFDR | 7 | P\$7 |
| PB6/LFDG | 8 | P\$8 |
| PB7/IRTX | 9 | P\$9 |
| PC2 | 10 | P\$10 |
| PC4/RES_OUT | 11 | P\$11 |
| PC5/DTR | 12 | P\$12 |
| UCC | 13 | P\$13 |
| GND | 14 | P\$14 |

| | | |
|--------------|----|-------|
| GND | 1 | P\$1 |
| PD0/SENS_ISP | 2 | P\$2 |
| PD1 | 3 | P\$3 |
| PD2/RXD | 4 | P\$4 |
| PD3/TXD | 5 | P\$5 |
| PD4 | 6 | P\$6 |
| PD5 | 7 | P\$7 |
| PD6/CTS | 8 | P\$8 |
| PD7 | 9 | P\$9 |
| PC6/RTS | 10 | P\$10 |
| PC7/IRRX | 11 | P\$11 |
| UuCC | 12 | P\$12 |
| UCC | 13 | P\$13 |
| GND | 14 | P\$14 |

USB connection and AVR programming adapter

TITLE: UCOM-X

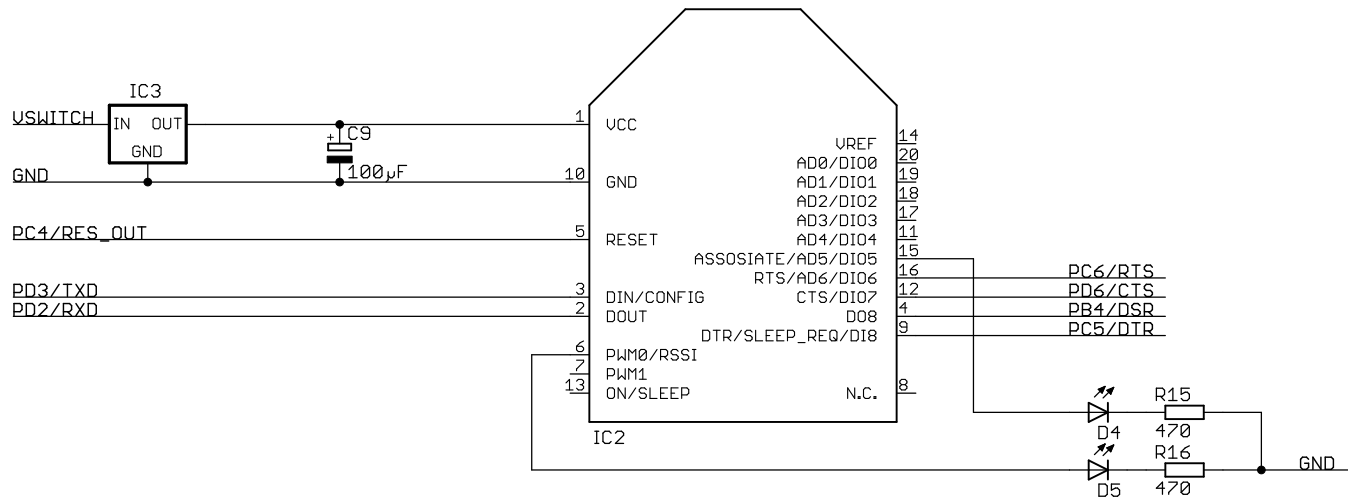
<http://ucom-ir.nicai-systems.com>

REV:
3.02

Date: 21.04.12 09:21

Sheet: 1/3

UCOM-XBee only



XBee adapter

TITLE: UCOM-X

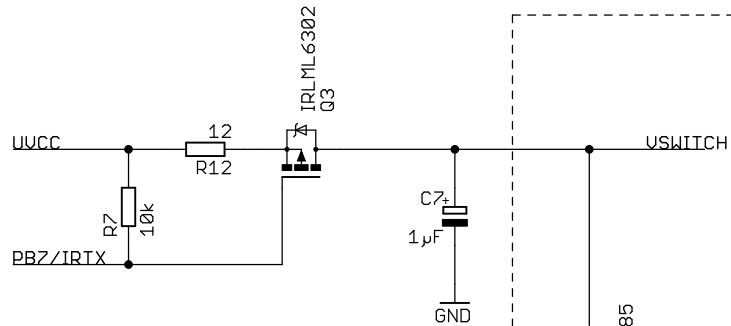
<http://ucom-ir.nicai-systems.com>

REU:

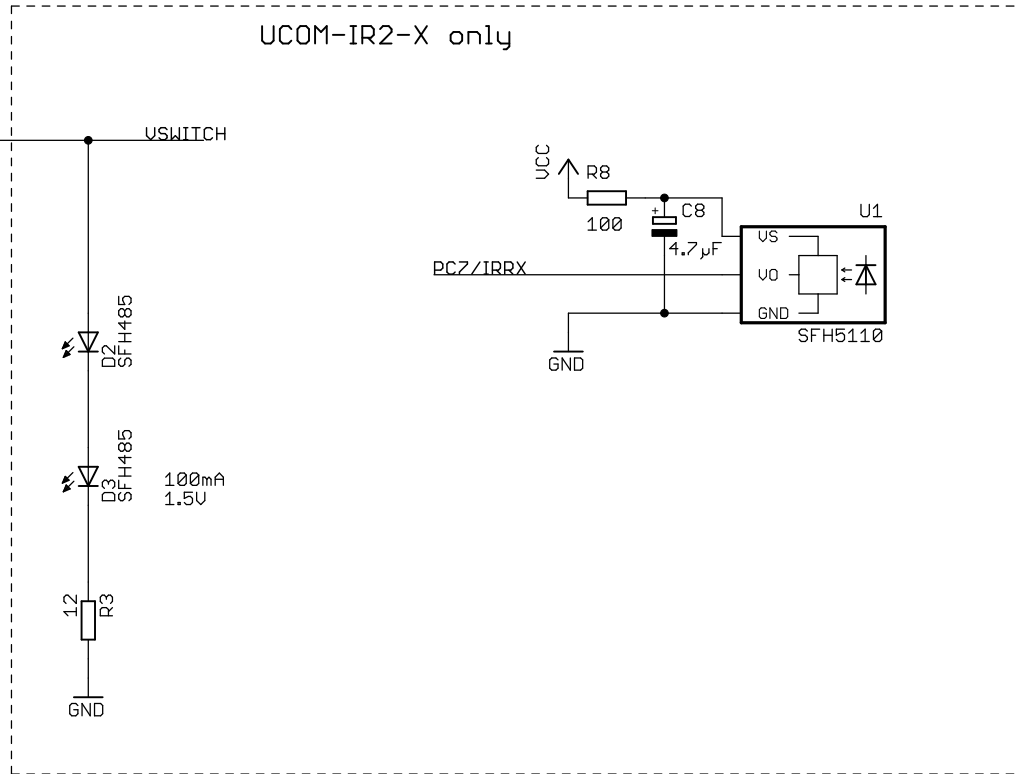
3.02

Date: 21.04.12 09:21

Sheet: 2/3



for UCOM-XBEE:
 R12: 0 Ohm
 C7: 4.7µF



| | |
|----------------------------------|--------------|
| IR receiver and transmitter | |
| TITLE: UCOM-X | |
| http://ucom-ir.nicai-systems.com | REV: 3.02 |
| Date: 21.04.12 09:21 | Sheet: 3/3 |